

VCP - series centrifugal blowers

230/400 volt A.C.

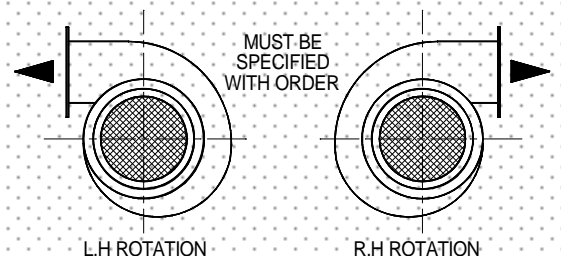
for

high volume air
circulation in
engine rooms and
enclosed spaces

- high flow rates at medium pressure
- air temperatures up to 80°C
- steel impeller in robust steel casing
- sizes from 180 watts to 7.5kW
- choice of left or right handed rotation (non-reversible)

GR BLOWERS FOR BOATS

DOC289/99



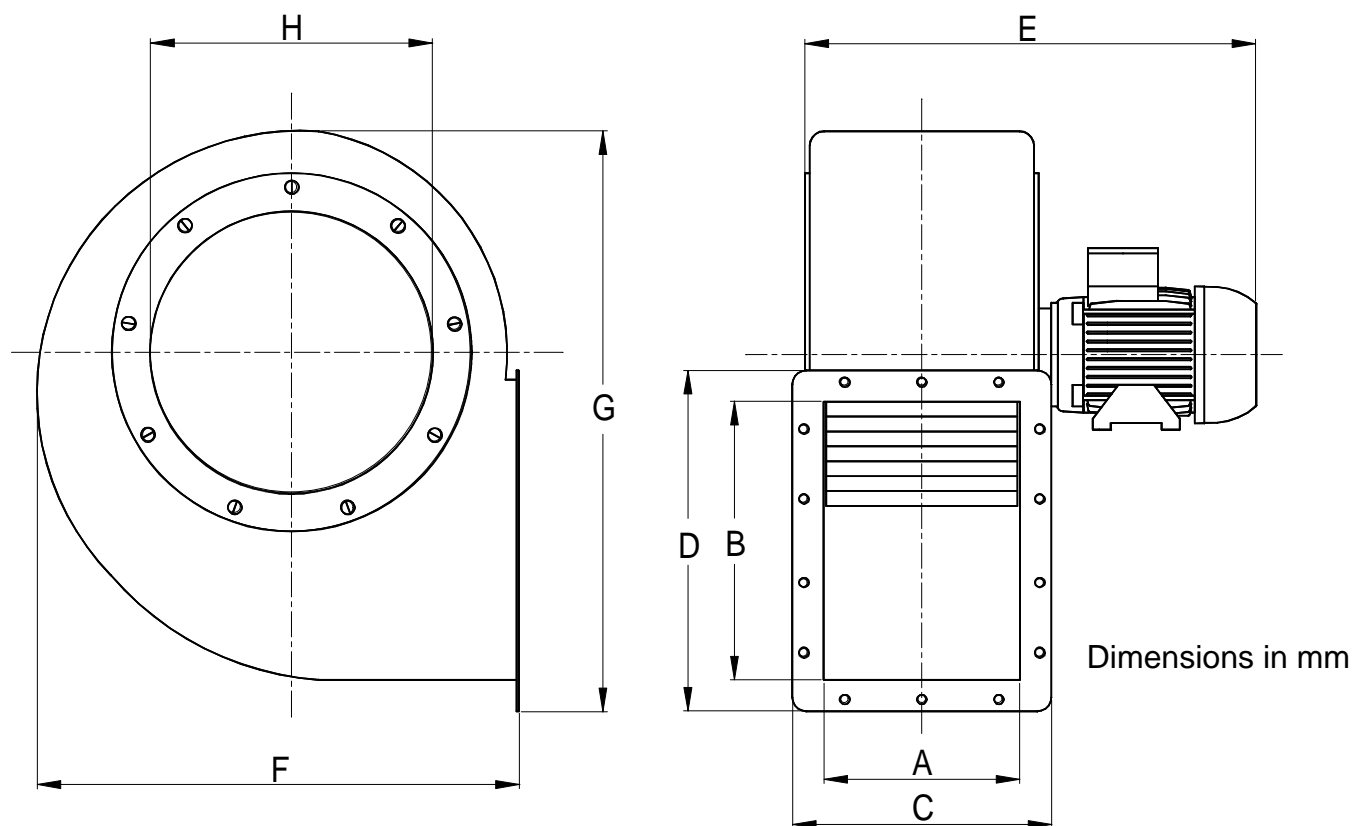
GR CENTRIFUGAL BLOWERS

VCP – series

Performance of selected models. Contact Sales Office for full details of this range.

Type	230V 1ph or 400V 3ph A.C.	RPM	NOISE dB/A*	MAX FLOW cu.m/min	MAX PRESSURE mm water gauge
VCP 161/A	0.25kW	2800	65	10	55
VCP 251/B	4kW	2800	84	71	210
VCP 201/C	0.25kW	1450	58	16	25
VCP 451/A	7.5kW	1450	80	160	175
VCP 311/C	0.37kW	930	61	35	36
VCP 451/D	3kW	930	70	140	76

*at 1.5 metres



Type	A	B	C	D	E	F	G	H	Weight kg
VCP 161/A	90	90	133	133	310	275	315	145	12
VCP 251/B	180	250	250	320	580	440	520	255	60
VCP 201/C	140	200	210	270	375	360	430	205	20
VCP 451/A	315	450	395	530	750	750	925	456	128
VCP 311/C	224	315	304	395	480	550	660	321	45
VCP 451/D	315	450	395	530	715	750	925	456	120

Supplied by: